

Snap On 120v Circuit Breaker Lockout

Catalog #: 065387 & 065688

www.bradyeurope.com

Design

- Designed for 120v circuit breaker switches that have holes in the switch tongue
- Quick and easy - just snap into place and apply padlock!
- Dual cavities accommodate different sized switch tongues, and durable metal pins add additional security
- Accepts lock shackles up to (7mm) 9/32" in diameter

Material

- Body: Nylon 66
 - Color: Red (PMS 1805C)
- Dowel pin: Stainless Steel
- UL Rating: UL 94 – HB (Plastic Components Only)

Temperature Range

- Nylon 66: -20° to 120°C (-4° to 250°F)

Chemical Resistance

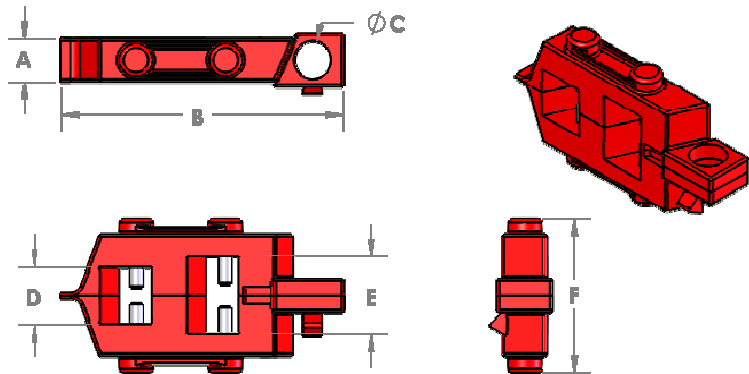
All approved chemicals listed are based on the manufactures specified chemical resistance chart for plastic material only.

Dimensions

"A"	–	0.33" [8.4mm]
"B"	–	2.14" [54.5mm]
"C"	–	0.30" [7.5mm]
"D"	–	0.44" [11.2mm]
"E"	–	0.50" [15.2mm]
"F"	–	1.19" [30mm]



Chemical	°C	Chemical	°C
Acetone	25	Petroleum	25
Acetone	60	Turpentine oil	25
Chlorine, chlorine water	25	Turpentine substitute (white spirit)	25
Fuel, engine: Gasoline (normal & premium grade)	85	Trichloroethane 1,1,1	45
Lubrication oil: gear oil	< 120	Lubricating oil: HD engine oils, hydraulic oils, transformer oils	< 120
Fuel, engine: M15 mixture (15% methanol)	70	Water (including seawater)	25
Methanol	25	Water (including seawater), chlorinated (<0,5 mg/l)	80



Warranty

Note: All values shown are averages and should not be used for specification purposes. Test data and test results contained in this document are for general information only and shall not be relied upon by Brady customers for designs and specifications, or be relied on as meeting specified performance criteria. Customers desiring to develop specifications or performance criteria for specific product applications should contact Brady for further information. Product compliance information is based upon information provided by suppliers of the raw materials used by Brady to manufacture this product or based on results of testing using recognized analytical methods performed by a third party, independent laboratory. As such, Brady makes no independent representations or warranties expressed or implied, and assumes no liability in connection with the use of this information.

Circuit Breaker Cross Reference Guide

Circuit Breaker Manufacture	Breaker Type	# of Poles	Circuit Breaker Manufacture	Breaker Type	# of Poles
Bryant	BR	1	Siemens ITE	BL	1
Challenger	C	1	Siemens ITE	BLH	1
Cutler Hammer	BAB	1	Siemens ITE	BQ	1
Cutler Hammer	BD	1	Siemens ITE	BQH	1
Cutler Hammer	BR	1	Siemens ITE	HBL	1
Cutler Hammer	BRH	1	Siemens ITE	HBQ	1
Cutler Hammer	CH	1	Siemens ITE	HQP	1
Cutler Hammer	CHB	1	Siemens ITE	HQPP	1
Cutler Hammer	CHP	1	Siemens ITE	QP	1
Cutler Hammer	CL	1	Siemens ITE	QPH	1
Cutler Hammer	HBAW	1	Siemens ITE	QPP	1
Cutler Hammer	HBAX	1	Siemens ITE	QPPH	1
Cutler Hammer	HQP	1	Square D	QO	2-3
Cutler Hammer	QBHW	1	Square D	QOB	2-3
Cutler Hammer	QC	1	Square D	QOB-VH	1
Cutler Hammer	QCD	1	Square D	QO-SWN	2-3
Cutler Hammer	QCHW	1	Square D	QO-VH	2-3
Cutler Hammer	QHCW	1	Westinghouse	BA	1-3
Cutler Hammer	QHCX	1	Westinghouse	BAB	1-3
Cutler Hammer	QHPW	1	Westinghouse	BR	1-3
Cutler Hammer	QHPX	1	Westinghouse	HBAW	1
Cutler Hammer	QPHW	1	Westinghouse	HBAX	1
General Electric	THHQB-A	1	Westinghouse	HQP	1
General Electric	THHQC-A	1	Westinghouse	QBHW	1
General Electric	THHQL-A	1	Westinghouse	QC	1
General Electric	THQB-A	1	Westinghouse	QCHQ	1
General Electric	THQC-A	1	Westinghouse	QHCW	1
General Electric	THQL-A	1	Westinghouse	QHCX	1
General Electric	TQB-A	1	Westinghouse	QHPW	1
General Electric	TQC-A	1	Westinghouse	QPHW	1
General Electric	TQL-A	1	Westinghouse	WPHX	1

MSDS Information

1. HAZARDS IDENTIFICATION

This product is NOT DANGEROUS and contains no hazardous ingredients.

2. FIRST AID MEASURES/HEALTH INFORMATION /PROTECTION

Eye Contact:	Not applicable, product is inert
Ingestion:	Not applicable, first aid is not normally required.
Inhalation:	Not applicable
Skin Contact:	Not applicable, product is inert, except if product is melted use gloves. For hot melted product, immerse in or flush affected area with water to dissipate heat, and then obtain medical attention.
Exposure Limits:	None
Threshold Limits	None
Personal Protection:	None (ambient conditions)
NPCA-HMIS Rating:	Health: 0; Flammability: 1; Reactivity: 0
NFPA-704 Rating:	Health: 0; Flammability: 1; Reactivity: 0

3. FIRE-FIGHTING MEASURES

<ul style="list-style-type: none"> Be cautious of hot melted Nylon 	<ul style="list-style-type: none"> Use water spray to cool fire, exposed surfaces, and to protect personnel
<ul style="list-style-type: none"> Isolate product from fire 	<ul style="list-style-type: none"> Respiratory and eye protection is required for fire fighting personnel
<ul style="list-style-type: none"> Extinguish fire with water spray 	<ul style="list-style-type: none"> Decomposition products under fire conditions: Oxygen-lean conditions may cause monoxide and irritating smoke

4. ACCIDENTAL RELEASE MEASURES

Land	Recover material and place in suitable container for reuse or for disposal in conformance with local regulations.
Water	Recover material and place in suitable container for reuse or for disposal in conformance with local regulations.

5. HANDLING AND STORAGE

5.1 Handling	5.2 Storage
No precautions noted-see local regulation if needed	Storage pressure: Atmospheric
	Storage temperature: Ambient, no direct sunlight

6. EXPOSURE CONTROLS/PERSONAL PROTECTION

6.1 Exposure limit values	6.2 Exposure Controls
None	6.2.1 Occupational Exposure Controls
	6.2.1.1 Respiratory Protection: Not applicable
	6.2.1.2 Hand Protection: Not applicable
	6.2.1.3 Eye Protection: Not applicable
	6.2.1.4 Skin Protection: Not applicable
	6.2.2 Environmental Exposure Controls: No data available

7. PHYSICAL AND CHEMICAL PROPERTIES

General Information	
Other Information	

8. STABILITY AND REACTIVITY

8.1 Conditions to Avoid
Higher Temperatures and direct sunlight (chemical resistance is excellent)
Highly stable, but temperatures over 480 F may cause degradation
8.2 Materials to Avoid
No data available
8.3 Hazardous Decomposition Products
Under fire and oxygen-lean conditions may cause monoxide and irritating smoke

MSDS Information (continued)

9. ECOLOGICAL INFORMATION

9.1 Ecotoxicity	No data available
9.2 Mobility	No data available
9.3 Persistence and Degradability	No data available
9.4 Bioaccumulative Potential	No data available
9.5 Other Adverse Effects	No data available

10. DISPOSAL CONSIDERATIONS

None of the materials in this product are Recyclable, dispose of all materials in accordance with an applicable federal, state, and local law.

11. TRANSPORT INFORMATION

No data available

12. REGULATORY INFORMATION

This product has been tested and validated to the Regulatory Requirements listed below:

- OSHA 29 CFR 1910.147 ©(4)(ii)(A)(1)/(c)(5)(ii)(C)(1)
- ANSI Standard Z244

13. OTHER INFORMATION

No data available

Sollten Sie noch Fragen haben,
kontaktieren Sie uns bitte.

Leymann Tel. 0511-7805-0
Punktum GmbH Fax 0511-7805-206
 Lehmdamm 17 punktum@leymann.de
 30853 Langenhagen www.leymann.de



Wir helfen Ihnen gerne weiter.